



STREET LIGHTING LUMINAIRE

LED

# SL 70

HIGH EFFICIENCY

37-75W



## Glass, IK08 IP67

LED provided by Samsung



LED number	120 LED 3030	120 LED 3030	72 LED 3535	72 LED 3535
Power	37W	56W	64W	70W
Luminous flux	5100 Lm	8000 Lm	9088 Lm	9730 Lm
Light efficiency	138 Lm/W	143 Lm/W	142 Lm/W	139 Lm/W
LED current	0.100 A	0.150 A	0.300 A	0.330 A

48 LED	48 LED
50W	70W
6900 Lm	9100 Lm
138 Lm/W	130 Lm/W
0.350 A	0.480 A

## No Glass, IK10 IP67

LED number	72 LED	72 LED	72 LED	72 LED
Power	40W	52W	65W	75W
Luminous flux	7080 Lm	8840 Lm	10600 Lm	12000 Lm
Light efficiency	177 Lm/W	170 Lm/W	164 Lm/W	160 Lm/W
LED current	0.200 A	0.250 A	0.300 A	0.350 A

(The flux and efficiency may vary +/- 20%, depending on the LEDs and with or without glass)  
Specifications are subject to change without notice, for latest datasheet refer to web-site

Philips Xitanium Drivers

TRIDONIC



LEDiL



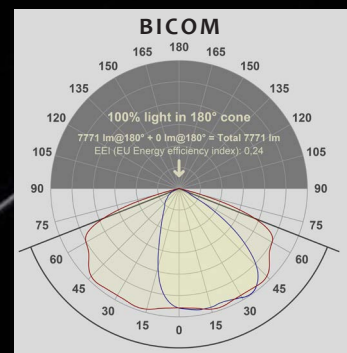
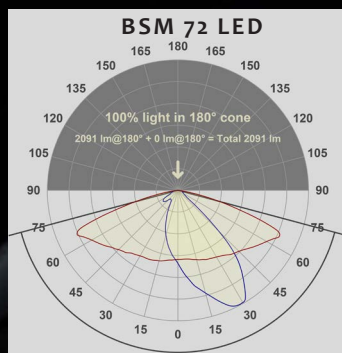
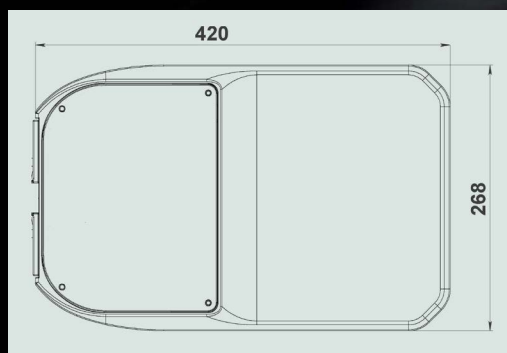
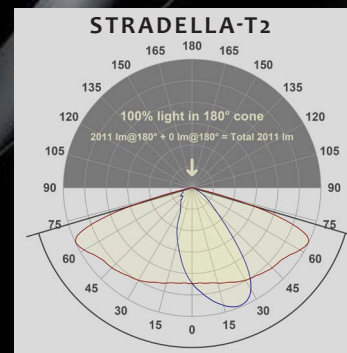
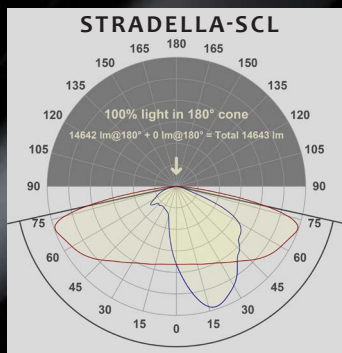
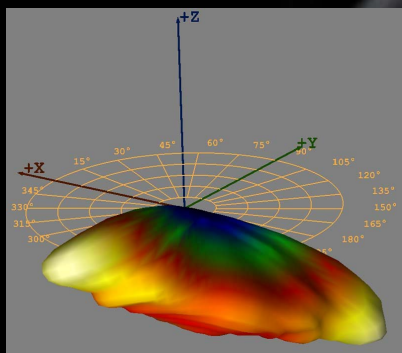
WWW.BSM-BG.COM

LED 11



# STREET LIGHTING LUMINAIRE LED

# SL 70



<b>LED brand</b>	<b>SAMSUNG, CREE</b>
<b>Lenses / Optics</b>	<b>LEDiL, LEDLINK, BICOM</b>
<b>Power supply voltage</b>	<b>AC 220-240V (100-240V on request)</b>
<b>LED driver</b>	<b>TRIDONIC, PHILIPS, MEANWELL; On request: 1-10V, DALI, Self-dimming</b>
<b>Operation temperature</b>	<b>-30°C + 45°C (-40°C on request)</b>
<b>Isulation class</b>	<b>Class I; Class II on request</b>
<b>Beam Angle</b>	<b>street types, other on request 60°, 90°, 120°, asymmetric</b>
<b>Power factor</b>	<b>≥0.92</b>
<b>Operation Lifetime</b>	<b>≥ 50,000 h (100,000 h on request)</b>
<b>On-load switch</b>	<b>On request</b>
<b>Surge protection</b>	<b>10kV</b>
<b>CR Index</b>	<b>CRI Ra≥70 (CRI Ra≥80 on request)</b>
<b>Colour temperature</b>	<b>4000K - 6000K +/- 300K (3000K,6500K on request) (Luminocity parameters may vary on request)</b>
<b>Body colour</b>	<b>RAL7035 standard - custom colour possible on request RAL9006, RAL7024</b>
<b>Body / Screen</b>	<b>Aluminium die casting, tempered glass</b>
<b>IP / IK grade</b>	<b>IP67 / IK08- IK10</b>
<b>Weight</b>	<b>5,2kg</b>
<b>Dimensions</b>	<b>420x268x70mm</b>
<b>Mounting / Tilt angle</b>	<b>diam. 60mm / +20° - 40° / +20° - 5°</b>
<b>Warranty</b>	<b>3 years (5 and 7 years on request)</b>
<b>Main standards references</b>	<b>CE, EN 55015; EN 61000; EN 61547; EN 62031 EN 60598; EN 60529; EN 62262; EN 13201; EN 62471 (on request)</b>

