

STREET LIGHTING LUMINAIRE

# SL 25

HIGH EFFICIENCY

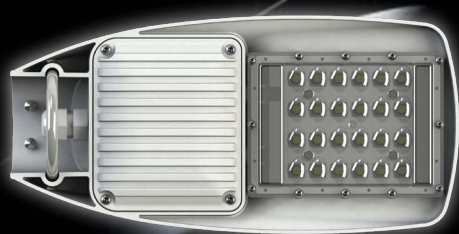
7,5-45W

NO GLASS

2022-2023



up to 170 Lm/W



LED provided by Samsung



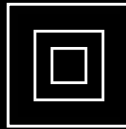
|                  |          |          |          |          |          |          |          |          |
|------------------|----------|----------|----------|----------|----------|----------|----------|----------|
| LED number       | 24 LED   | 24 LED   | 24 LED   | 24 LED   | 24 LED   | 24 LED   | 24 LED   | 24 LED   |
| Power*           | 7.5W     | 12W      | 19W      | 24W      | 28W      | 34W      | 40W      | 45W      |
| Luminous flux    | 1180 Lm  | 2020 Lm  | 3230 Lm  | 3980 Lm  | 4770 Lm  | 5640 Lm  | 6560 Lm  | 7290 Lm  |
| Light efficiency | 160 Lm/W | 170 Lm/W | 170 Lm/W | 168 Lm/W | 168 Lm/W | 166 Lm/W | 164 Lm/W | 162 Lm/W |
| LED current      | 0.050A   | 0.075A   | 0.130A   | 0.170A   | 0.200A   | 0.230A   | 0.278A   | 0.310A   |

Data is for 4000K and 5000K. For 3000K contact manufacturer. \*Power tolerance +/-5%

TRIDONIC Philips Xitanium Drivers

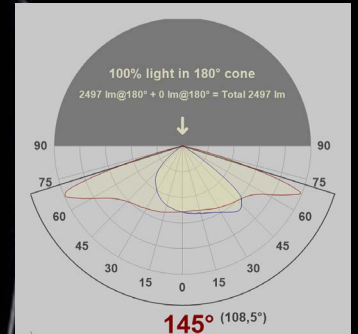
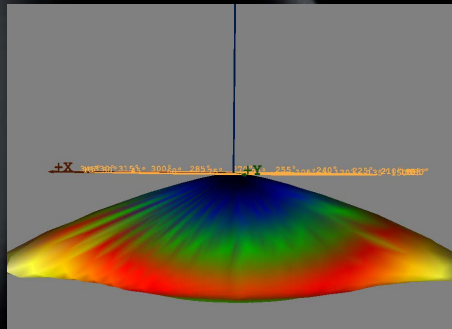
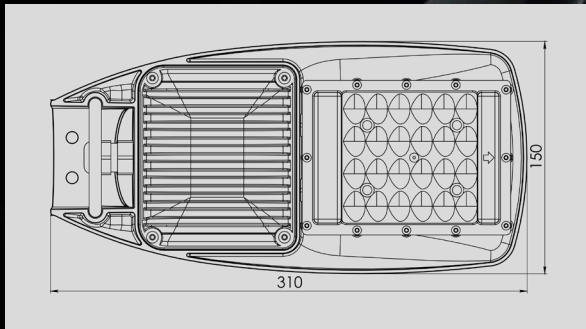
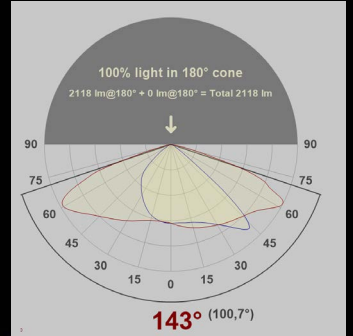


WWW.BSM-BG.COM



# STREET LIGHTING LUMINAIRE

# SL 25



|                       |   |
|-----------------------|---|
| LED brand             | LUMILEDS or SAMSUNG, 3030 or 5050           |
| Lenses / Optics       | BSM 24 LED                                  |
| Power supply voltage  | AC 220-240V (+/-10%), 50/60Hz               |
| LED driver            | TRIDONIC, PHILIPS, TCI; OSRAM               |
| Operation temperature | -25°C + 50°C (-30°C or -40°C on request)    |
| Insulation class      | Class I or Class II                         |
| Beam Angle            | street type 143°, 145°                      |
| Power factor          | ≥0.90                                       |
| Operation Lifetime    | ≥ 60,000 h at L80B10 (100,000 h on request) |
| Surge protection      | 10kV  |
| CR Index              | CRI Ra≥70 (CRI Ra≥80 on request)            |
| Colour temperature    | 4000K; 5000K (3000K on request) +/- 300K    |
| ULOR                  | ≤ 2,5%                                      |

(Luminosity parameters may vary on request)

(The flux and efficiency may vary +/- 10%, depending on the LEDs)

Specifications are subject to change without notice, for latest datasheet refer to web-site

|                       |   |
|-----------------------|---|
| Body colour           | RAL7035 standard - custom colour possible on request RAL9006, RAL7024 |
| Body                  | Aluminium die casting (powder coated)                                 |
| IP / IK grade         | IP66 / IK10   |
| Weight                | 1,3 kg  |
| Dimensions            | 310x150x75mm  |
| Mounting / Tilt angle | diam. 60mm  |
| Warranty              | 5 years   |

Main standards references CE, ENEC, EN 55015; EN 61000; EN 61547; EN 62031  
EN 60598; EN 62262; EN 13201; EN 62471

**TRIDONIC** Philips Xitanium Drivers



[WWW.BSM-BG.COM](http://WWW.BSM-BG.COM)