

HOME SECURITY
MICROPROCESSOR
CENTRAL UNIT

“HOME 3”

INSTALLATION
GUIDE

INSTALLATION

Installation of the system could be done following this order:

- mounting the box of the central unit by three dubel to the wall, using earmarked holes at the back side of the box:
- mount all the detectors on the places fixed in advance
- wire all the cables from detectors to the central unit providing a cable for permanent network supply to the electrical board.

CONNECTING

To every zone you can connect unspecified quantity of standard security detectors (normal closed alarm and tamper switches, with power supply 12V or without supply, for example magnetic switches, etc.). The requirement to detectors is to provide min 0.5 sec. open switches when they are triggered. On their quantity there are two requirements;

1. – Common consumption of all detectors and additional device supplied from the central unit to be not more than 100mA

2. – Total additional resistance from the cables and closed detectors switches not to exceed 300 Ohm for every zone (have in mind that most detectors have connected in series to their switches protective resistance from 10 to 30 ohm, which usually is described in technical characteristics).

Wire the detectors as follows: All alarm switches are connected in series as the circuit starts from (-), pass through the switches and ends in the corresponding zone. The sensors that have to be power supplied, connect to +/-12V. Tamper switches of the sensors can be wired in two ways: if the second zone is set as 24h one they are connected in series from (-)12 V to the zone. If both zones are momentary, tamper switches are connected in series to the sensor's alarm switches. Tamper switches of the central unit are connected internally to zone2.

Connector CNTR – is output with active zero to 50mA for control of external back-up sirens or phone dialers triggered by foliage of (+).

Connector STAT – is output with active zero in armed system to 50mA.
Power supply of the system is through electric

net (220V/ max – 8W), connected to the free outputs of transformer; and though lead (unsupported) acid battery – 12V-1,2Ah, wired to the blue and red cables by connectors (do not change order of the battery connectors).

Low current power supply fuse is switched on to electric board, and is almost impossible not to mention its burning (for example the lights). Consumption of the system in neutral mode is from 5 to 15mA/12V.

CONFIGURATION

When connect the jumper to the IC (connect in short both outputs), the second zone is 24h one and if the jumper is disconnected the zone is standard momentary one. This mode is suitable for home and small offices where actions as: opening and taking off of sensors and devices of the system are not possible when the system is switched off (places are crowded). In this mode both zone are free for common use, as two security modes exist – special (when only the second zone is triggered). 24th hours (24h) zone is necessary for places, where some outside attempt to the system is possible in dis-

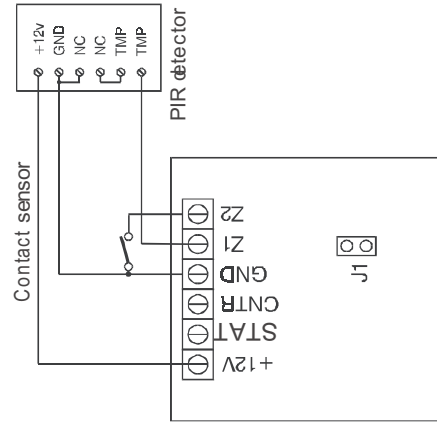
armed mode. In this case all tamper switches are connected to the second zone, and only the alarm ones of all sensors are switched to the first zone.

INITIAL START UP OF THE SYSTEM

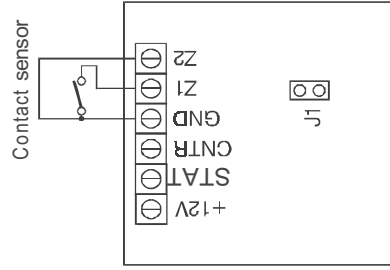
Start up of the central unit is done in the following order:

After all the cables are connected, put the battery into the central box and connect the battery supply, three chirps are heard for disarming and the system is ready to start. After that turn on the net power supply, then the green LED has to light on.

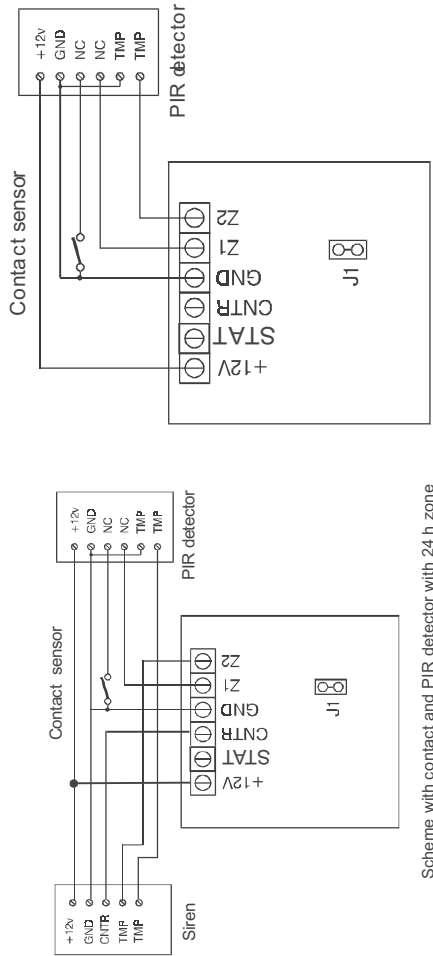
Test all sensors (after waiting a minute for their setup). If the sensors are not active, check the circuit to the connector (+) – used for a fuse to the sensor power supply. At the end put on the lid of the central unit box and test the proper function of each sensor. If a trouble exists in zone 2 (permanents lighting of LED indication and causing alarming in every turning on) check both tampers of the central unit.



Scheme with contact and PIR detector without 24 h zone



Scheme with a single contact sensor



Scheme with contact and PIR detector with 24 h zone and external (additional) siren

Scheme with contact and PIR detector with 24 h zone

Guarantee

Serial N:.....
Professional installer:.....
Signature:.....
Car producer:.....
Owner:.....
Date of installation:.....

Guarantee clauses:

The guarantee consists of free repairs of all production defects, appeared in the guarantee term. Only authorised installers may repair the system. The guarantee clauses don't include damages, caused by bad observing of the specifications. In this case the repair is under payment (not free of charge).